

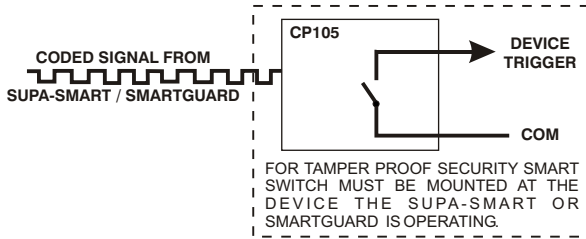
Smart SWITCH

SYSTEM

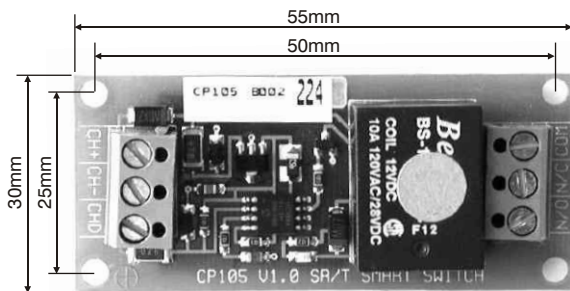


This optional controller interfaces with either the SUPA-SMART multi user receiver or the SmartGUARD keypad to provide a secure link with the device being operated. (e.g. door lock, gate motor, roller shutter door operator, traffic barrier etc.)

The SMART SWITCH is mounted at the device being operated and encodes the data signal from the open collector outputs of either the SUPA-SMART receiver or SmartGUARD keypad. It provides either a Normally Open or Normally Closed dry contact at its output.



PHYSICAL DIMENSIONS

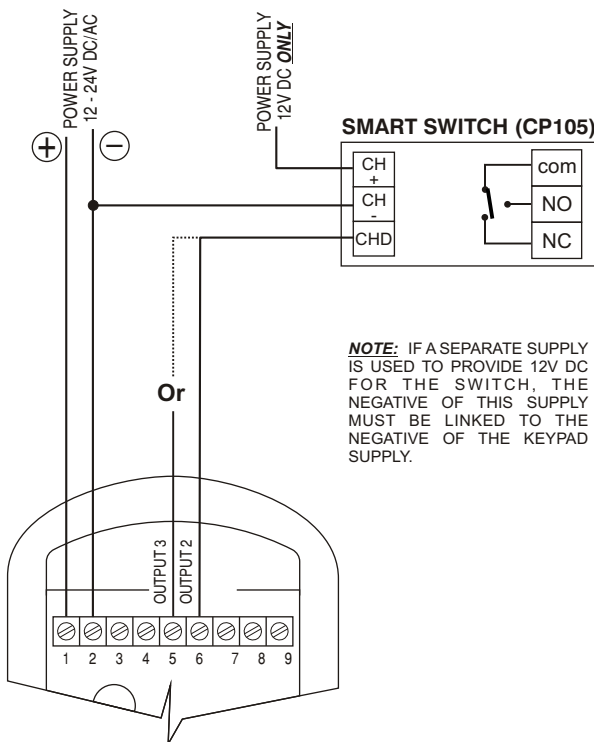


Height of card - 16mm

TECHNICAL SPECIFICATIONS

SUPPLY VOLTAGE:	12V DC Only
MAX OPERATING CURRENT:	50mA
CONTACT RATING:	3A Resistive
MAXIMUM CABLE LENGTH:	<25m (Preferably screened)
PRODUCT CODE:	CP105

SMART-GUARD CONNECTIONS



SUPA-SMART CONNECTIONS

