

G-SPEAK Installation Manual



Company Profile



1986



1990



1995



1999



Today

**In-house
R & D
development
team**



**Manufacture to
international
quality standard
ISO 9001:2008**



**100%
testing of
products**



**Competent
after-sales
Technical Support
from 07h00 - 18h00
UTC+2
Monday to Friday**



**Sales and technical support
to Africa, Europe, Asia,
the Americas, Australia
and the Pacific**

Centurion Systems (Pty) Ltd reserves the right to make changes to the products described in this manual without notice and without obligation of **Centurion Systems (Pty) Ltd** to notify any persons of any such revisions or changes. Additionally, **Centurion Systems (Pty) Ltd** makes no representations or warranties with respect to this manual. No part of this document may be copied, stored in a retrieval system or transmitted in any form or by any means electronic, mechanical, optical or photographic, without the express prior written consent of **Centurion Systems (Pty) Ltd**.

Contents



Quick Setup Steps

page 1



IMPORTANT SAFETY INSTRUCTIONS

page 2

1. Glossary of Terms Page 4
2. General Description Page 5
 - Main Features Page 5
3. Specifications Page 6
 - Physical Dimensions Page 6
 - Technical Specifications Page 7
 - Functional Specifications Page 7
4. Product Identification Page 8
5. Required Tools and Equipment Page 10
6. Mounting Instructions Page 10
 - Calling Module Mounting Page 10
 - GSM Controller Mounting Page 15
 - Inserting an Activated SIM Card Page 16
7. Wiring Diagrams Page 19
8. GSM Network Signal Detection Page 21
9. **G-SPEAK** Functionality Page 22
 - Voice Phone Functionality Page 22
 - Adjusting the Calling Module Volume Page 23
 - Switch Phone Functionality Page 24
 - Changing the Default Password Page 24
 - Resetting the Password to Default Page 24
 - List Of Commands Page 24
 - Special Commands Page 33
10. Installation Handover Page 35

Icons Used in this Manual



This icon indicates tips and other information that could be useful during the installation.



This icon denotes variations and other aspects that should be considered during installation.



This icon indicates warning, caution or attention! Please take special note of critical aspects that MUST be adhered to in order to prevent injury.



Quick Setup Steps

These abbreviated instructions are for the experienced installer who needs a checklist to get a standard installation up and running in the minimum of time.

Detailed installation features and functions are referred to later in this manual.



Mount the Calling Module according to the instructions given in the Installation section.



Connect the GSM Controller to the Calling Module according to the wiring diagram in the Wiring section.



Insert a network and RICA-registered SIM card (with some airtime loaded onto it) into the SIM card holder on the GSM Controller as shown on page 18.



Connect a 10V - 30V DC power supply to the GSM Controller according to the instructions in the Wiring section. The backlight on the Calling Module will light up, and the GSM Controller will begin network registration. Once registered on the network, the Calling Module will emit three short beeps. Signal strength will be indicated on the signal strength LEDs next to the antenna connector as shown under Section 7.



Program the unit. See Section 10.



Call a Voice Phone and gauge voice quality and volume. It is important that the Calling Module and phone being called are separated by at least 20 meters to prevent feedback.



Determine if any interference is noticeable during a call. Adjust the antenna placement to resolve any interference issues. The antenna should not be placed close to the Calling Module.

IMPORTANT Safety Instructions



ATTENTION

To ensure the safety of people, it is important that you read all the following instructions. Incorrect installation or incorrect use of the product could cause serious harm to people.

The installer, being either professional or DIY, is the last person on the site who can ensure that the operator is safely installed, and that the whole system can be operated safely.

Warnings for the Installer

CAREFULLY READ AND FOLLOW ALL INSTRUCTIONS before beginning to install the product.

- All installation, repair, and service work to this product must be carried out by a suitably qualified person
- Secure all easily-accessed controls in order to prevent unauthorised use of the device
- Do not in any way modify the components of the **G-SPEAK** unit
- Do not install the **G-SPEAK** unit in an explosive atmosphere: the presence of flammable gasses or fumes is a serious danger to safety
- Before attempting to install the unit, cut electrical power to the control box where the **G-SPEAK** unit will be mounted
- Make sure that the earthing system is correctly constructed, and that all metal parts of the system are suitably earthed
- Explain these safety instructions to all persons authorised to use **G-SPEAK**, and be sure that they understand the hazards associated with the **G-SPEAK** system
- Do not leave packing materials (plastic, polystyrene, etc.) within reach of children as such materials are potential sources of danger
- Dispose of all waste products like packaging materials, worn-out batteries, etc. according to local regulations
- Claims as a result of improper use of the product, or as a result of the product being used for any other purpose other than for which the product was intended for, will not be entertained

Safety
FIRST

- This product was designed and built strictly for the use indicated in this documentation. Any other use, not expressly indicated here, could compromise the service life/operation of the product and/or be a source of danger

Anything not expressly specified in these instructions is not permitted.

**SAFETY
FIRST**

1. Glossary of Terms

Called Party:

When one of the Call Buttons on the Calling Module is pressed, the Called Party is the person or persons who receives/answers the call on their mobile phone or landline handset.

Calling Module:

This can be seen as similar to a traditional intercom gate station or entry panel that resides outside of the property and is the component of the **G-SPEAK** system that is used to dial through to and communicate with Voice Phones.

GSM Controller:

A module using 2G GSM (Global System for Mobile Communications) technology to communicate wirelessly with GSM-enabled handsets, allowing both audible communication and monitoring and switching of Inputs and Outputs.

DTMF:

Dual Tone Multi-Frequency signalling. This is used for telecommunication signalling over analogue telephone lines in the voice-frequency band between telephone handsets and other communication devices and the switching centre. This allows the user to press 1, 2, 3 or 4 on his handset to switch any of the Outputs on the **G-SPEAK**.

Voice Phone:

A Voice Phone pertains specifically to the intercom functionality of the **G-SPEAK** system, and is any learned-in phone with the ability to communicate audibly with the Calling Module, but is also capable of activating any of the Outputs during a call using DTMF signalling.

Switch Phone:

A Switch Phone is a learned-in phone that is capable of exercising some influence upon the Outputs of the controller via GSM switching and does not necessarily possess Voice Phone functionality, though it can be learned in for both.

Channel:

An electrical gateway implemented as a physical terminal on the **G-SPEAK** that provides the external interface to Input or Output signals.

Hang Time:

The time for which the call remains connected after a DTMF event.

Filter Time:

Filter Time is defined as the minimum time that the signal must be asserted before it is seen as valid. For example, if an Input is configured to send a notification upon a falling edge signal being asserted - say, when mains power to an irrigation system fails - and the Filter Time has been set to ten seconds, the notification will only be sent if the falling edge signal has been present for at least ten seconds.

Blanking Time:

This refers to the minimum or 'cool down' period before an asserted Input will respond to any subsequent assertions. For example, an Input's Blanking Time has been set to one hour and the Input gets asserted and sends an SMS notification. One minute later, the Input is asserted again. This second assertion will be ignored until an hour has passed.

2. General Description

The **G-SPEAK Classic** and **G-SPEAK Classic+** are 2G GSM-based intercom systems with advanced functionality. The system comprises two components, namely a Calling Module, which is typically mounted on the wall or a gooseneck outside the property, and a GSM Controller that is typically mounted inside the property, typically inside a gate motor housing. The two components are connected to each other via six wires, and allow communication between a visitor at the Calling Module and the homeowner's phone through the use of 2G GSM (Global System for Mobile Communications) technology.

Main Features

1. Communicate wirelessly

With the **G-SPEAK** range of audio GSM intercoms, the user's mobile phone or landline becomes the handset, resulting in a significant saving in installation costs.

This functionality enables the user to answer the intercom and open the gate from anywhere in the world with 2G GSM network coverage. Two independent LED-backlit Call Buttons can be used to call up to four¹ pre-programmed landline or mobile phone numbers.

2. Control up to four¹ devices

Once the call is connected, the Called Party can activate up to four¹ different Outputs using DTMF (Dual-Tone Multi-Frequency) signalling. This means that the user can, for example, open the gate for a visitor by pressing the number **1** key on his phone, or press **2** to open the pedestrian gate, etc.

3. Configurable channels

Each Output can be independently configured for either pulsed or latching operation, and the pulse time is configurable per Output. This is useful in cases where the gate needs to be kept open for a period of time, for example to allow a truck or car and trailer into the property. The unit can be programmed to allow up to 100¹ users to activate one of the Outputs via a Missed Call from their phone.

In addition, the **G-SPEAK Classic+** allows each of the four channels to be configured as either an Input or an Output – when configured as an Input, a pre-defined SMS can be sent to selected users upon Input activation and inputs also allow for Filter and Blanking Times to be set.

4. Multiple user settings

Configurable ring and call durations allow the unit to be customised to an individual's needs, and volume at the Calling Module can be set by using the Call Buttons. See page 23 for detailed instructions.

5. High-security features

The unit can also be used as a listening-in device¹ to survey the area around the Calling Module (usually located outside the property). When this functionality is used, the Calling Module speaker is muted.

6. User-friendly terminals

The innovative design of the Calling Module's spring-loaded terminals makes wiring quick, easy and entirely hassle-free. Simply use a terminal screwdriver to push the mechanism down, insert the wire and release. The wire will be held securely in place.

1. Depends on model (**G-SPEAK Classic** allows one number per Call Button, plus one Output with ten users; while **G-SPEAK Classic+** allows two numbers per Call Button, plus four Input/Outputs with 100 users.)

3. Specifications

Physical Dimensions

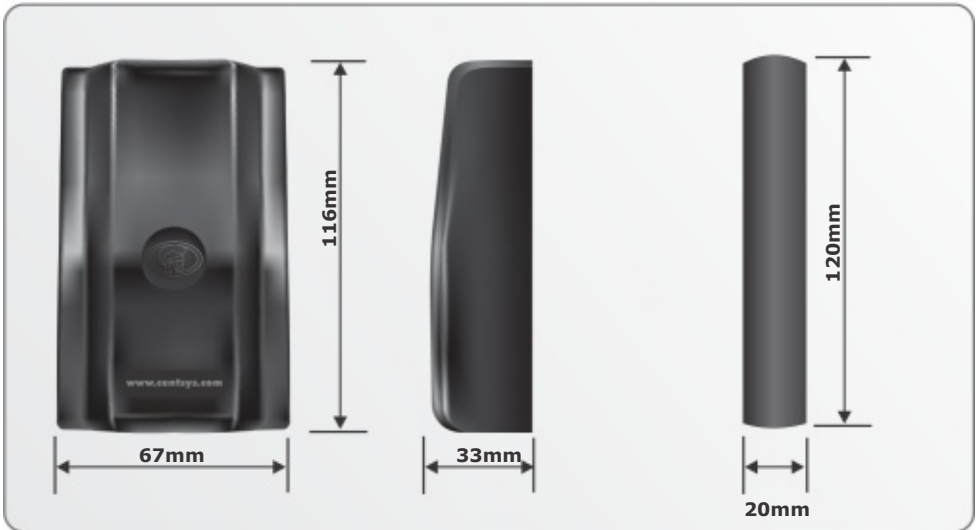


FIGURE 1. OVERALL DIMENSIONS FOR GSM CONTROLLER

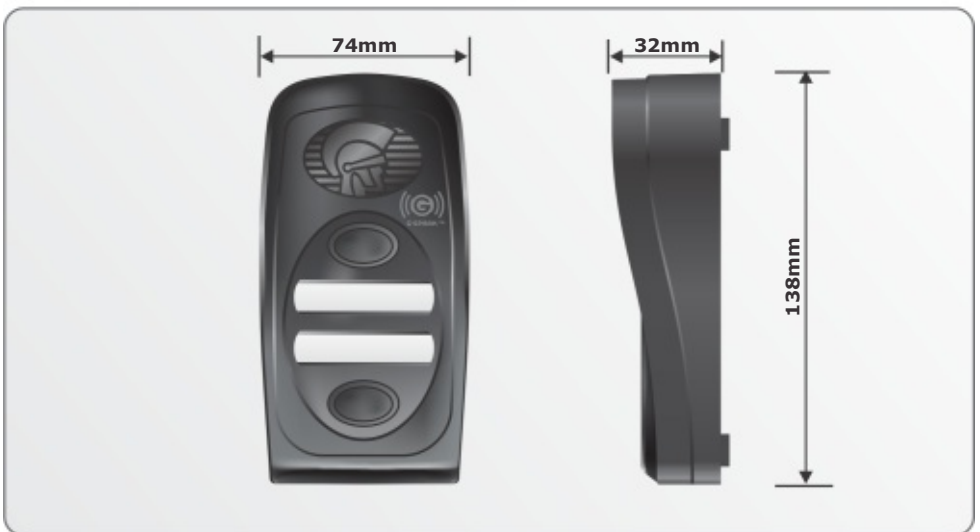


FIGURE 2. OVERALL DIMENSIONS FOR THE CALLING MODULE

Technical Specifications

Physical	G-SPEAK CLASSIC	G-SPEAK CLASSIC+
Input voltage	10V - 30V DC	
Current draw	Quiescent 30mA maximum 300mA	
Call Buttons on Calling Module	2	
Call confirmation at Calling Module	Yes	
Speech volume	Adjustable at Calling Module using Call Buttons	
Wiring requirements (between Calling Module and GSM Controller)	6 wires, min 0.2mm ² ; Maximum 10m between Calling Module and GSM Controller	
Channels	1 - Output only	4 - individually configurable as either Input or Output
Input activation	Not applicable	Rising edge/Falling edge/both
Input filter	Not applicable	0.1s - 24 hours (in milliseconds)
Input blanking	Not applicable	0.1s - 24 hours (in milliseconds)
Output pulse time range	1ms - 24hrs (adjustable in milliseconds)	
Network compatibility	Yes (a standard size 25mm x 15mm SIM with Voice and Data Services enabled, and airtime)	
SIM card required	Yes	
Airtime required	Yes	
Operating temperature	-20°C to +50°C	
Calling Module illumination	Call Buttons and labels with backlit white LEDs	
Housing material	ABS	
Surge protection	Yes	

Functional Specifications

Function	G-SPEAK Classic	G-SPEAK Classic+
Ability to switch/monitor devices and functions	1 Output to activate device	4 Inputs/Outputs to activate or monitor devices /functions (individually configurable)
Number of users	Up to 2 Voice Phones (one per Call Button), plus Up to 10 Switch Phones	Up to 4 Voice Phones (2 per Call Button) Up to 100 Switch Phones
Special functionality		Talk Mode (Activate via SMS from Voice Phone) Listen Mode (Activate via SMS from Voice Phone) SMS activation of Outputs
Systems Status query	Yes, via SMS (SMS from Voice Phone)	
Systems Settings query	Yes, via SMS (SMS from Voice Phone)	
Notification	Battery-low/volume changed/ password reset/firmware upgrade	

4. Product Identification

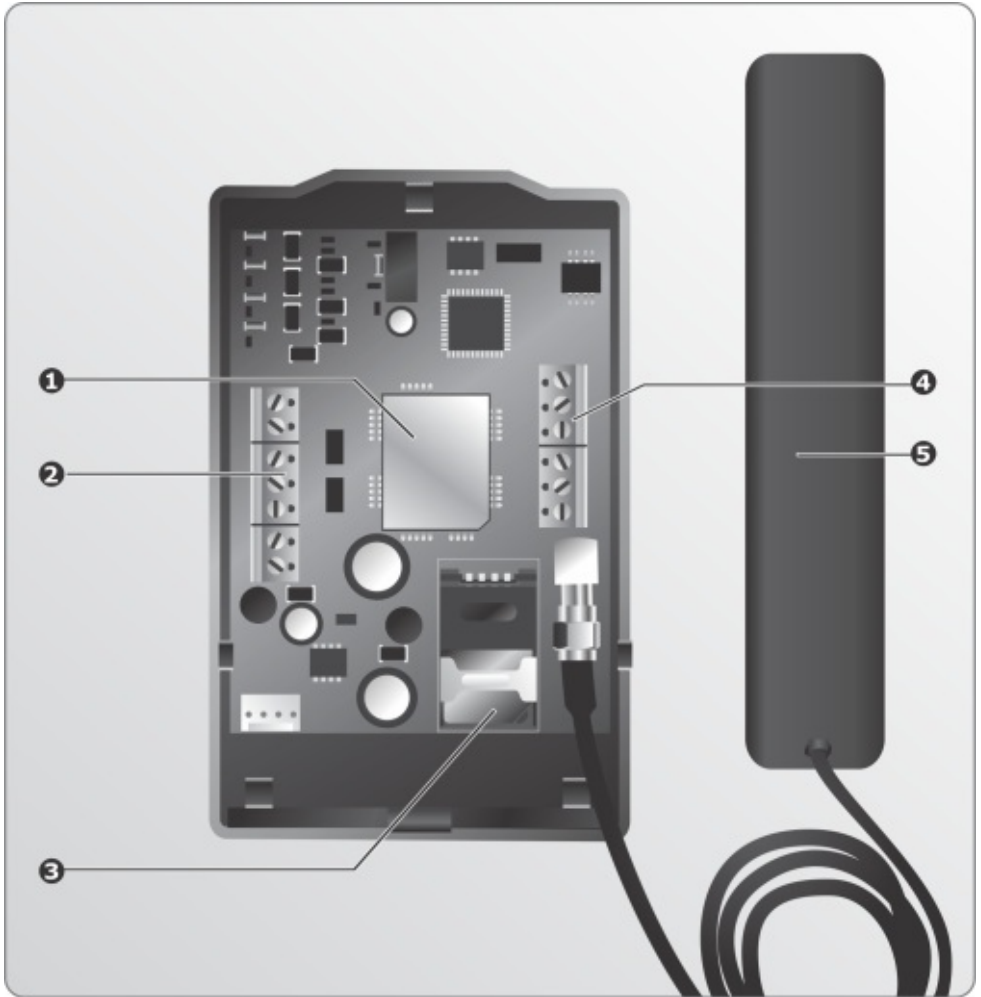


FIGURE 3. GSM CONTROLLER INTERIOR

1. GSM Module
2. Input/Output terminals
3. Standard size (25mm x 15mm) SIM card holder
4. Voice communications terminals
5. Antenna



Without battery backup, this equipment will not work when Mains power fails.

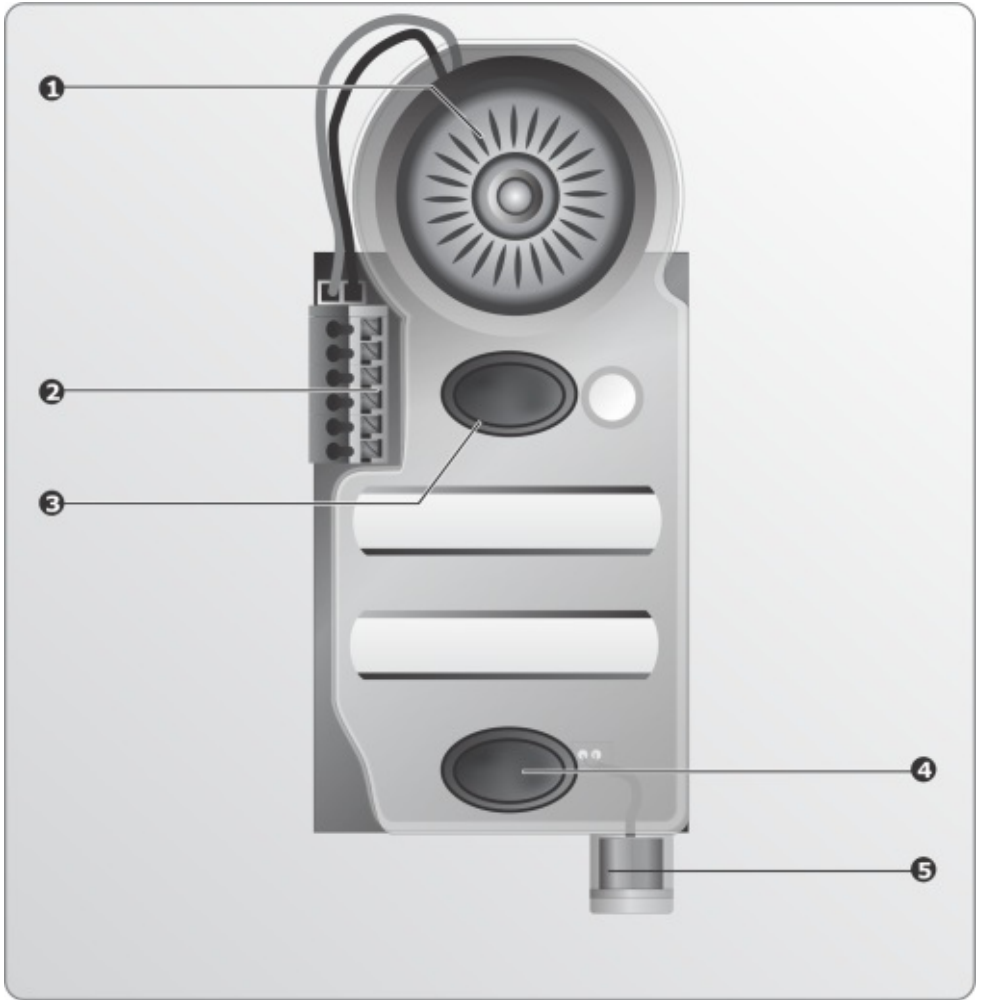


FIGURE 4. CALLING MODULE INTERIOR

1. Speaker
2. Voice communication terminals
3. Call Button 1
4. Call Button 2
5. Microphone

5. Required Tools and Equipment

- Screwdriver – 3.5mm flat
- Side cutter
- Drill bits – 5mm masonry; 6mm drill bit
- Silicone sealant
- Fasteners and rawl plugs
- Six metres of n6 core communication cable

6. Mounting Instructions

Important Considerations

- All users calling or sending an SMS to the Module need to ensure that their Caller Line Identification Presentation (CLIP) is activated on their phone to ensure that the Module recognises the user's learned-in phone number
- If a contract SIM card is being used in the Module itself, CLIP must also be enabled on that SIM card. This can be done by first inserting the SIM card into a mobile phone and enabling CLIP
- Ensure that the SIM card in the GSM Module does not have Call Forwarding enabled
- The SIM card in the GSM Module must have the PIN (Personal Identification Number) code disabled. If a SIM card with PIN code protection enabled is inserted into the module, this will be flagged via the IO LEDs which will flash continuously.

Calling Module Mounting

Wall mounting recommendations



- Position the Calling Module on wall adjacent to entrance gate or door
- Mount at a height that allows for comfortably speaking into the microphone
- A typical recommended height is shown in Figure 5

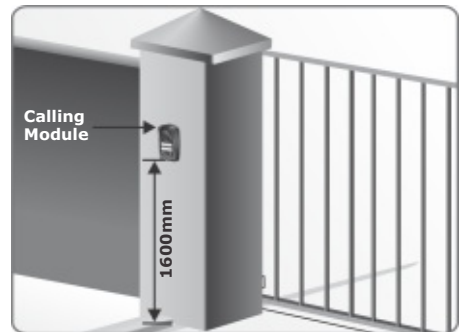


FIGURE 5

Gooseneck mounting recommendations



- Ensure that the Calling Module does not protrude too far into the driveway
- The Calling Module must not be set too far back and must be easily accessed from a vehicle
- The height should allow for comfortably speaking into the microphone



FIGURE 6

Dimensions

Dimensions of the Calling Module base and mounting holes relative to the Calling Module cover

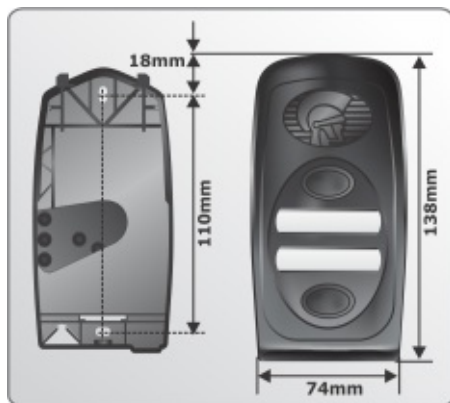


FIGURE 7

Mounting Instructions

1. Lift off the outer cover of the Calling Module as shown in Figure 8.



FIGURE 8

2. Insert screwdriver as shown and unclip the Calling Module from base.

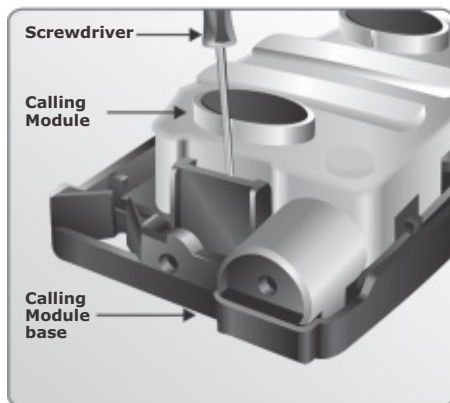


FIGURE 9

3. Lift the Calling Module off base.

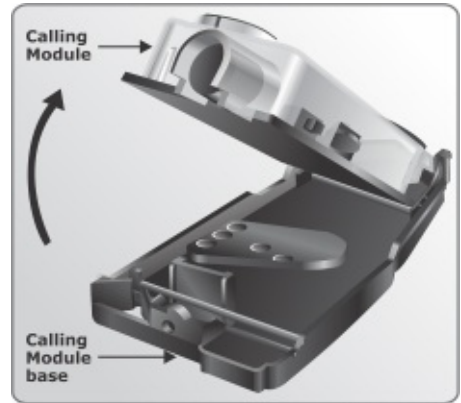


FIGURE 10

4. Hold the Calling Module base against the wall at the required height, ensuring that it is vertical.

5. Mark the location of the mounting holes.

6. Using a 5mm masonry bit, drill holes into the wall for the rawlplugs provided in the kit.

7. If the cable is being routed into the unit from a concealed conduit behind the base, knock out one of the cable entry holes provided in the base and feed through the cable. Ensure that at least 100mm of cable extends out of the wall.

8. Fit sealing washer onto the mounting screw before installing as shown in Figure 11.

9. Screw the base firmly into position and using the slots provided in the mounting holes, adjust the base to be perfectly vertical.

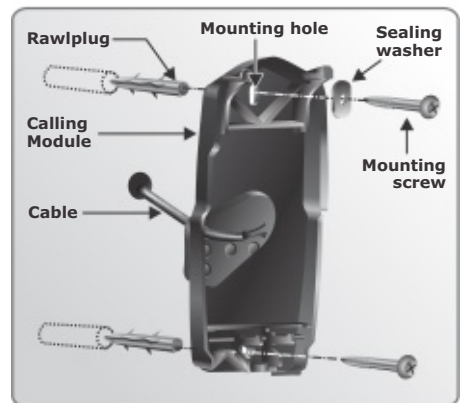


FIGURE 11

10. Ensure that sealing washer is fitted and closes off the mounting hole to prevent water ingress as shown in Figure 12.

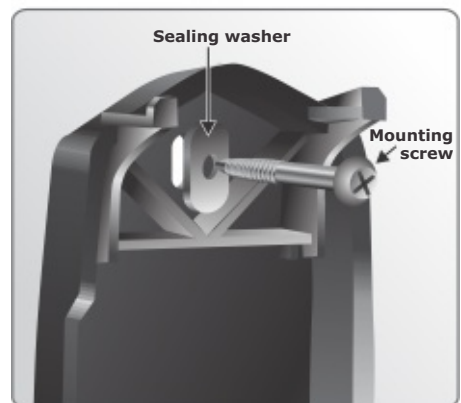


FIGURE 12

11. Run the cable through the base of the Calling Module, hook the Calling Module into the base as shown in Figure 15 and clip back into position.

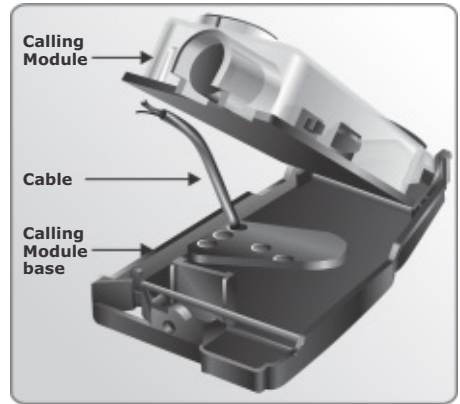


FIGURE 13

12. Terminate cable onto the voice communication terminals. Refer to the wiring diagram in Figure 30 for details.

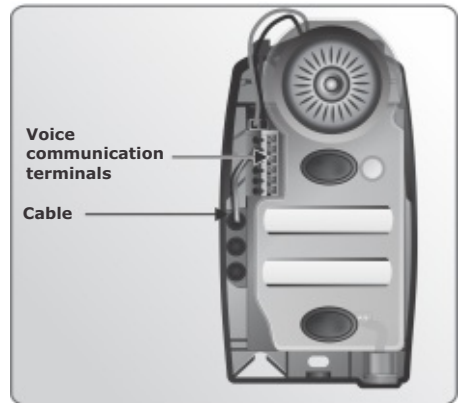


FIGURE 14

13. If the cable is surface-mounted, route the cable into the unit from underneath as shown and terminate onto the voice communication terminals. Refer to the wiring diagram in Figure 33 for details.
14. Write Call Button labels, insert into lens(es) and clip lens(es) back onto chassis as shown in Figure 15.

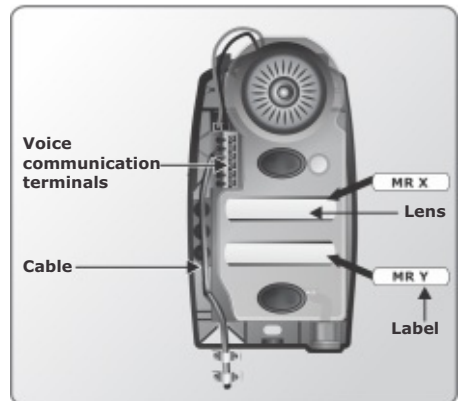


FIGURE 15

15. Clip the outer cover back into position.



It will be necessary when commissioning the unit to have the cover removed.



FIGURE 16

16. Secure the cover using the fixing screw provided in kit.



FIGURE 17

GSM Controller Mounting

The GSM Controller will typically be housed inside the enclosure of the device it is to control, for instance a gate motor. However, it can be mounted onto a wall or other structure by following the instructions below:

1. Insert screwdriver into slot on the GSM Controller and twist.

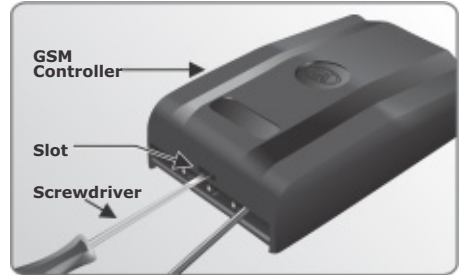


FIGURE 18

2. Remove the cover and unclip and remove the circuit board from the retaining clips.

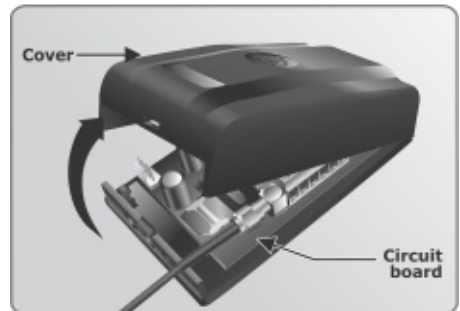


FIGURE 19

3. Mark position of the unit against the mounting surface.
4. Using a 5mm masonry bit, drill a hole into mounting surface.
5. Mount the unit using suitable fasteners.

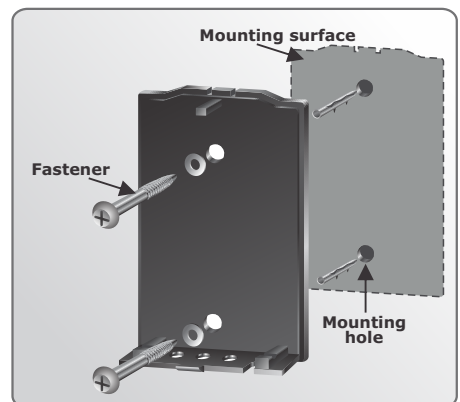


FIGURE 20

6. Use a 6mm drill bit to open the required cable entry hole.

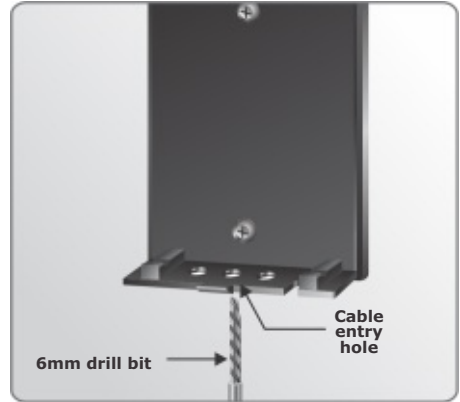


FIGURE 21



Ensure sufficient cable is provided for to reach the terminals of both the I/O terminals and the voice communication terminals

7. Fix the cable to the wall using cable saddles.
8. Seal all the holes with silicone sealant.
9. Re-insert the circuit board and ensure that the retaining clips are holding it in place

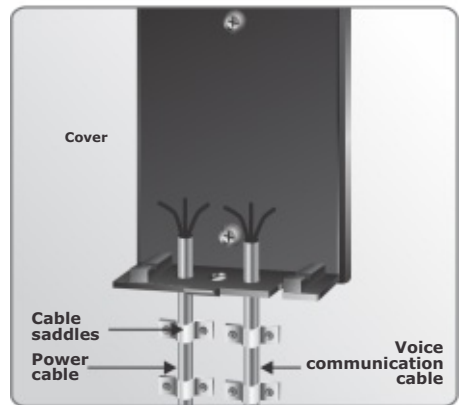


FIGURE 22

Inserting an Activated SIM Card



Ensure that the activated standard size SIM card going into the Module for the first time is not PIN protected

1. Slide the SIM card housing's locking mechanism up to release the housing.



Do not use a screwdriver to open the SIM Card locking mechanism.

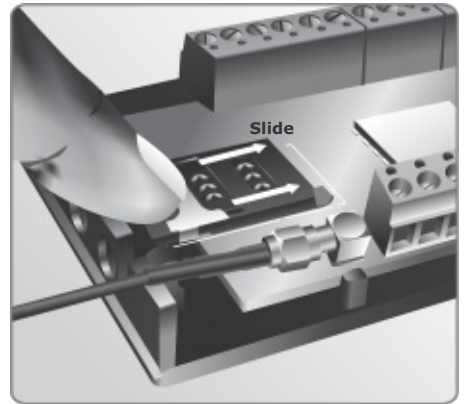


FIGURE 23

2. Raise the SIM card housing.

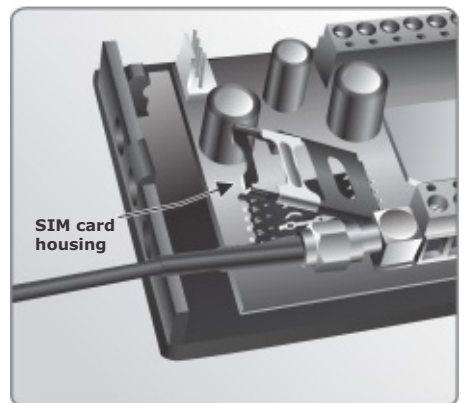


FIGURE 24

3. Insert the activated SIM card and ensure that the SIM card is correctly oriented. Align the cropped corner to be in the correct position on the circuit board as per the diagram.

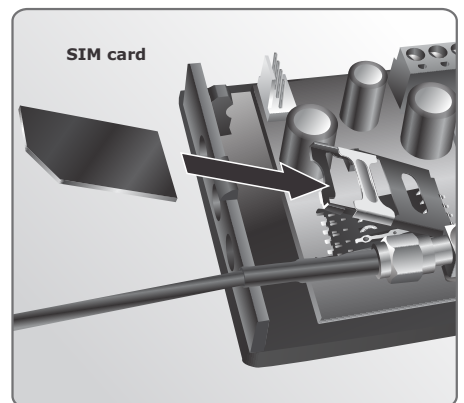


FIGURE 25

4. Once the SIM card is inserted correctly in the SIM card housing, lower the housing onto the circuit board. Then slide the SIM card housing's locking mechanism down to ensure that the SIM card housing is securely locked in place.



Do not use a screwdriver to close the SIM Card locking mechanism.

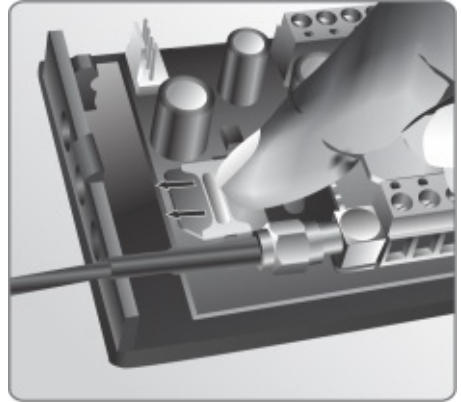


FIGURE 26

5. Hook the top of the edge of the cover onto the top of the unit.
6. Lower the cover and press securely into position.



FIGURE 27

7. Terminal Identificaton

G-SPEAK

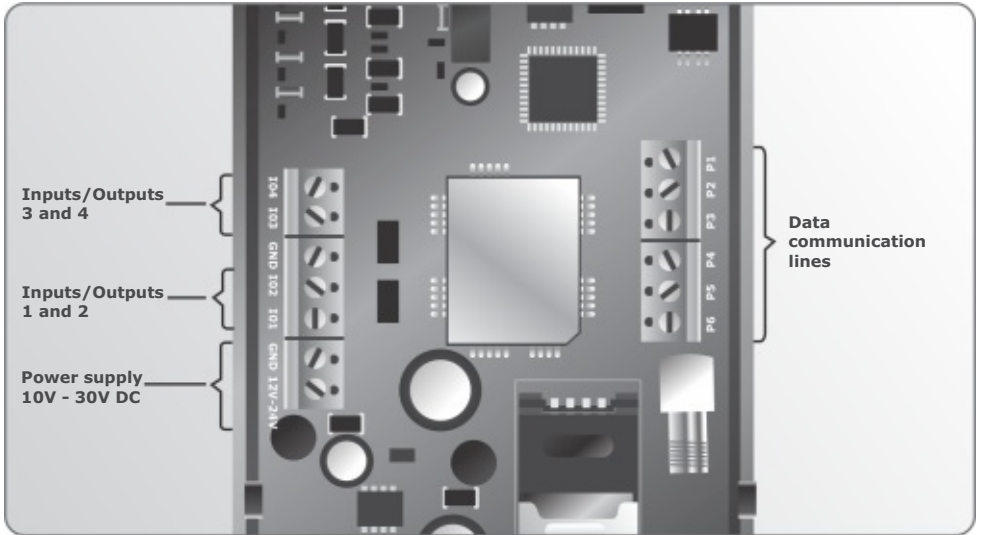


FIGURE 28. GSM CONTROLLER

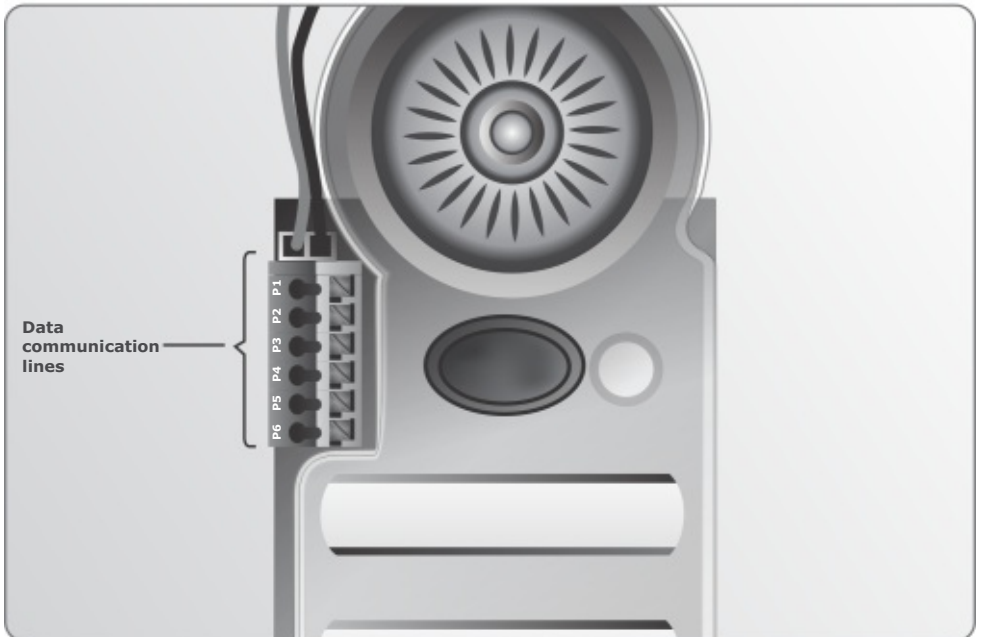


FIGURE 29. CALLING MODULE

7. Wiring to D-Series Controller

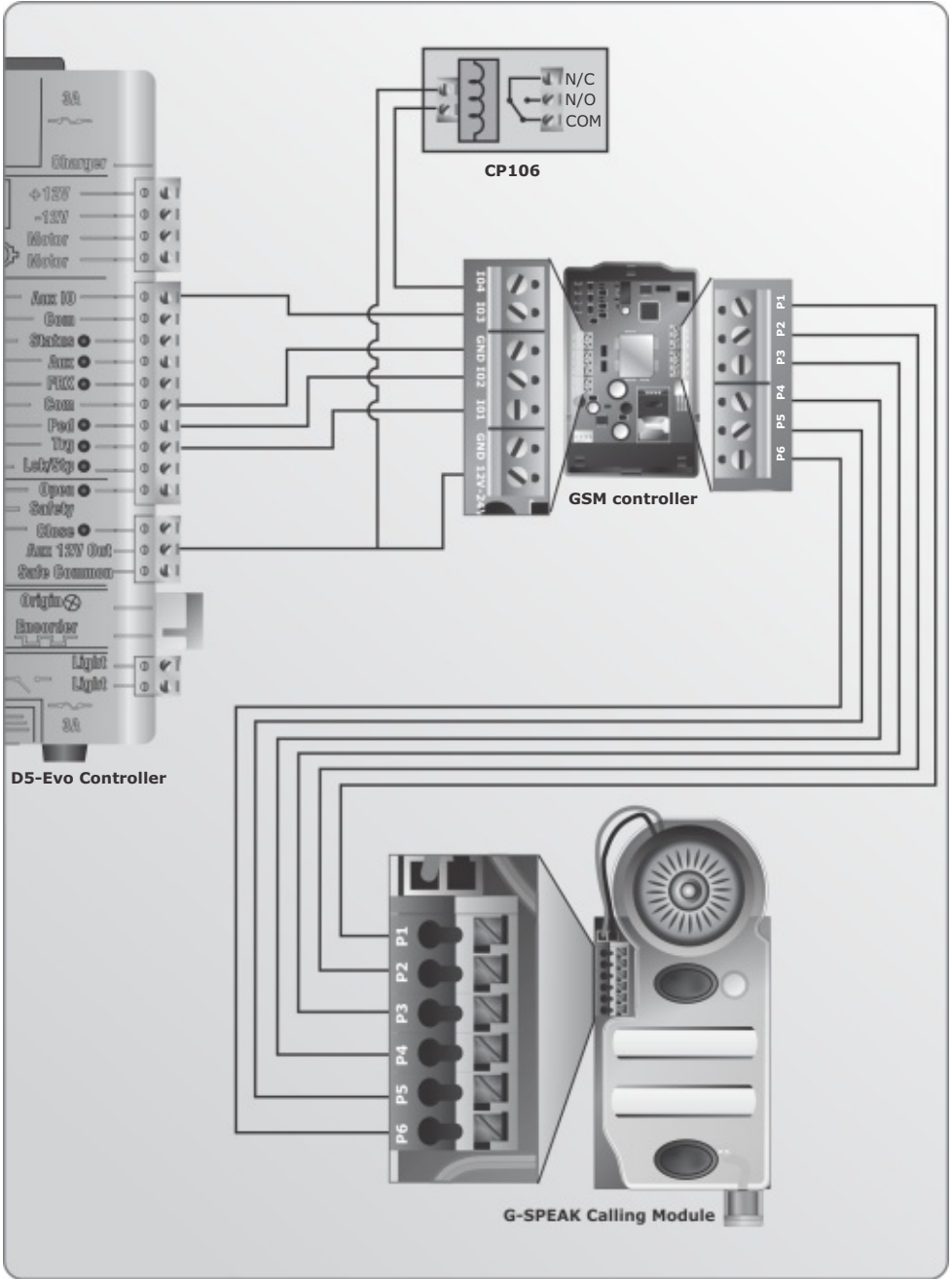


FIGURE 30. WIRING DIAGRAM

Use the table below for colour allocation when connecting the wires

Terminal	Description	Colour
P1	Power + and Call	
P2	Power - and Call	
P3	Speaker 1	
P4	Speaker 2	
P5	Mic 1	
P6	Mic 2	



It is recommended that 0.5mm² multi-stranded shielded cable is used

The following settings are based on the wiring shown in Figure 30 and is used as an example only:

- I/O 1 to TRG (I/O 1 set as Output)
- I/O 2 to PED (I/O 2 set as Output)
- I/O 3 to Aux IO (I/O 3 set as Input)
- Add an external relay to control additional devices such as lights, geysers, pool pumps, etc. (I/O 4 set to Output)
- I/O 3 settings for gate left open notification:
 - I/O 3 set as Input
 - Input 3 level to be monitored set to Both Edges.
 - Input 3 rising message set as 'Gate left open'
 - Input 3 falling message set as 'Gate closed'
 - Input 3 Filter Time set to +/- five seconds more than operating time of the gate (Opening-, Closing- and Autoclose time.)
- D-Series Controller Aux IO settings:
 - Safety
 - External gate status indication
 - Indicator Output set to XIO
 - Closed status ON
 - All other statuses OFF
- It is recommended that 0.5mm² multi stranded, shielded cable is used between the Calling Module and GSM Module (no longer than ten metres in length)

8. GSM Network Signal Detection

When powered up, the **G-SPEAK** will beep three times and the signal strength indicator LEDs will light up indicating the 2G GSM network signal strength. The GSM signal strength can be determined based upon the combination of the three LEDs that illuminate:

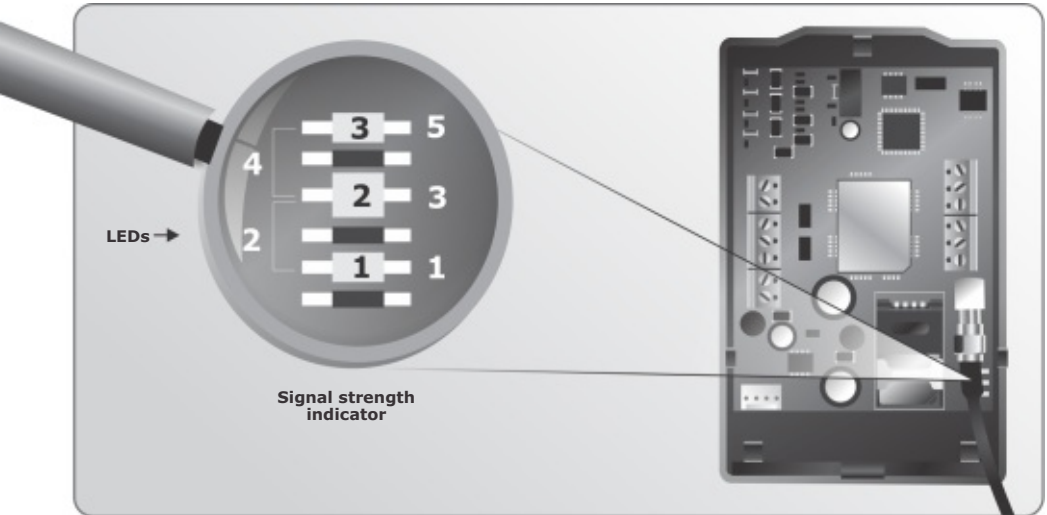


FIGURE 31. GSM MODULE SIGNAL STRENGTH INDICATORS



The GSM signal strength may be enhanced by repositioning the antenna. Ideally the antenna should be mounted externally, and away from any sensitive electrical components.



The rear side of the antenna has a double-sided tape backing, which may be used to affix the antenna to a desirable location. Please ensure that the surface to which you affix the antenna is smooth, clean and dry, to ensure reliable adhesion.

Power up the GSM Module, hold the antenna and locate a position where there is optimum GSM signal. Remove the adhesive cover at the back of the antenna and mount.



Keep the antenna away from the microphone.

Illuminate LEDs	Signal strength
3	5/5
2+3	4/5
2	3/5
1+2	2/5
1	1/5

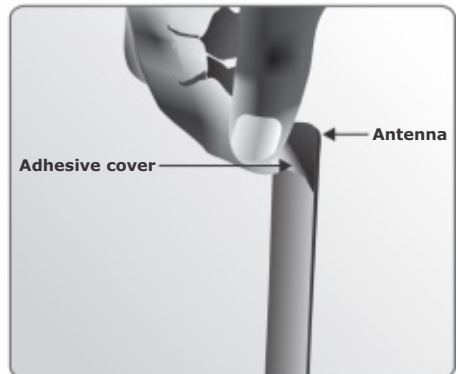


FIGURE 32

9. G-SPEAK Functionality



FIGURE 33

The **G-SPEAK** range offers both voice and signalling functionality, each of which provides its own unique feature-set and capabilities including communication, switching and monitoring. The units are programmed via SMS command strings sent from a standard mobile phone.

Categories of Learned-in Phones



A clear distinction must be made between a Voice Phone and a Switch Phone.

Voice Phone

A Voice Phone pertains specifically to the intercom functionality of the **G-SPEAK** system, and is any learned-in phone with the ability to communicate by voice with the Calling Module, but is also capable of activating any of the Outputs during a call using DTMF signalling.

Switch Phone

A Switch Phone is a learned-in phone that is capable of exercising some influence upon the Outputs of the controller via GSM switching and does not necessarily possess Voice Phone Functionality, though it can be learned in for both.

Both of these unique operating modes are discussed in more detail in the sections that follow.

Voice Phone Functionality

The Calling Module has two Call Buttons. Each button is associated with either one Voice Phone in the case of the **G-SPEAK Classic**, or two Voice Phones in the case of the **G-SPEAK Classic+**, where at least one of which will need to be programmed before the unit can be used to initiate a call (refer to the List of Commands). When a Call Button is pressed, the Calling Module will emit either a call tone to indicate that a call is being initiated, or three low-pitched beeps to indicate that no number is associated with that Call Button.

There will be a delay of up to ten seconds while the call connects, after which a ringtone will be heard from the Calling Module. Once answered by the Called Party, the call will end after either:

1. The call duration has expired (the default call duration is 30 seconds).
2. The call is terminated by pressing either of the Call Buttons on the Calling Module.
3. The call is terminated by the Called Party.
4. The hang time (the time for which the call remains connected before disconnecting after a DTMF tone) expires. The default hang time is 15 seconds.

Three beeps from the Calling Module indicate that the call has ended.

While the call is in progress, the Called Party can activate the one Output on the **G-SPEAK Classic**, or any of the four Outputs on the **G-SPEAK Classic+** by pressing 1, 2, 3 or 4 on their phone keypad. This DTMF event will trigger the hang timer, and the call will automatically terminate after the hang time has expired, regardless of the call duration up to that point.

Three configurable call parameters can be customised by the user (see List of Commands):

1. **Call duration** – The maximum call length (range 10 seconds - 60 seconds, default is 30 seconds).
2. **Ring time** – The time for which the Called Phone will ring before the Calling Module disconnects (**G-SPEAK Classic**), or tries the second number (**G-SPEAK Classic+**) (range 10 seconds – 60 seconds, default 15 seconds).
3. **Hang time** – The time for which the call remains connected after a DTMF event (range 2 seconds - 30 seconds, default is 15 seconds).

Adjusting the Calling Module Volume

The Calling Module volume can be changed (between 10% and 80%) by following these steps:

1. Press both Call Buttons simultaneously.
2. Wait for two beeps.
3. Use Call Button 1 to increase the volume (10% per press), or Call Button 2 to decrease the volume (10% per press). On each press, a beep will be heard with the new volume.
4. When done, press both buttons again simultaneously (or wait 30 seconds).
5. The Calling Module will beep twice, and an SMS will be sent to the first Voice Phone number assigned to Button 1, indicating that the volume has been changed.

Switch Phone Functionality

The GSM Controller has capacity for ten Switch Phone numbers in the case of the **G-SPEAK Classic**, or 100 Switch Phone numbers in the case of the **G-SPEAK Classic+**, each of which can activate one or more (in the case of the **G-SPEAK Classic+**) Outputs by Missed Call or SMS. Numbers are added using the AP command (see List of Commands). These numbers are not to be confused with the Voice numbers referred to in the Voice Functionality section.



A user's number can be programmed as both a Voice Phone and a Switch Phone.

	Voice Phone	Switch Phone
Voice communication with mobile	Yes	No
Switches Outputs via	DTMF (phone keypad during call)	Missed Call, SMS
Receives notification of Input activation	No	Yes (G-SPEAK Classic+ only)
Receives notification of password reset	Yes (Any Voice number subscribed to system notification)	No
Receives notification of firmware upgrade	Yes (Any Voice number subscribed to system notification)	No
Listen	Yes (G-SPEAK Classic+ only)	No
Talk	Yes (G-SPEAK Classic+ only)	No
Settings	Yes	No

Changing the Default Password

The **G-SPEAK** leaves the factory with a default password of 1234. The password is used to prevent unauthorised users from changing settings, and adding new numbers. It is recommended that the default password is changed (see List of Commands in this section), and a record stored in a safe place.

Resetting the Password to Default

If the password is forgotten, it may be reset to 1234 by removing power from the unit, bridging the inner pins of the bootloader header with a suitable terminal jumper, and powering up. Remove the jumper, and wait for the LEDs to go off – an SMS will be sent to the first Voice Phone learned into Button 1, indicating that the password has been reset to 1234.

List of Commands (for SMS configuration and administration of the controller)



The following command sets may be used to SMS the respective configuration settings to the controller. The SMSs will need to be sent to the number of the SIM card in the controller.

In the examples on the next page, 'xxxx' represents the Controller's password(see Changing the Default Password).

SMS Command Confirmation

If you would like confirmation that your SMS command has been successfully received by the **G-SPEAK**, simply append a space and then the letters 'ACK' to the end of the command set in the SMS message.

For example: **P.xxxx.AB.0821234567.BU1** will simply add phone number 082 123 4567 and assigns it to Button 1; however, **P.xxxx.AB.0821234567.BU1 ACK** will do the same **but you will also receive an SMS back** from the **G-SPEAK** that reads 'AB OK' confirming that the Add Button command has been successfully executed.

Audible Command Confirmation

The Calling Module will also provide audible feedback and confirmation of commands received:

- **One beep** if the command is accepted and valid
- **Two beeps** if a syntax error is present
- **Three beeps** if the command is sent from a number that is not a Voice number or if the command is sent with an incorrect password

Adding a New Voice Phone to a Call Button Command 'AB'

As described in the Voice Phone Functionality section, a Voice Phone will be called when either of the two Call Buttons are pressed and is able to activate the Outputs by pressing 1, 2, 3 or 4 on the phone keypad. This command set essentially assigns a phone number to a Call Button.

	Description	Parameters
AB	Adds a new Voice Phone number to be called when a specific Call Button is pressed	Phone number(s) (up to 19 digits each) Call Button BU (1 or 2) N – Subscribe to System Notifications

Examples (commands have been highlighted for clarity)

Command	Description
P.xxxx.AB.0821234567.BU1	Adds phone number 082 123 4567 and assigns to Button 1. Does NOT add phone to Switch Phone database.
P.xxxx.AB.0821234568.BU1.2.N	Adds phone number 082 123 4568 and assigns it to Button 1 as the second number to be called. System Notifications will be sent to this Voice number. (Classic+ only). Does NOT add phone to Switch Phone database.

Retrieve List of Voice Phone Numbers Assigned to a Call Button

Command 'LB'

	Description	Parameters
LB	Lists the Voice numbers assigned to each button	None

Examples (commands have been highlighted for clarity)

Command	Description
P.xxxx.LB	Sends an SMS to the originating number listing the Voice Phone numbers assigned to each button

Adding a New Switch Phone

Command 'AP'

As described in the Switch Phone Functionality Section, a Switch Phone is able to activate any of the controller's Outputs via a Missed Call (both models) or SMS (**Classic+** only).

Any of the Switch Phones, where configured, can turn on or off any of the Outputs by sending the text message 'Outputx ON' or 'Outputx OFF' to the **G-SPEAK Classic+** (the 'x' in the command string represents the Output number referred to). If configured, the Output name can be used instead of Outputx. Turning on a pulsed Output will cause it to trigger, while turning it off will have no effect.

Example:

Output 1 of a **G-SPEAK Classic+** has been assigned the name ALARM (using the command string documented in the Configuration Settings section). The Output can be activated by sending an SMS with the text 'ALARM ON' (no quotation marks) to the device from a Switch Phone configured for SMS activation. Likewise, the Output can be deactivated (the alarm disarmed) by sending an SMS with the text 'ALARM OFF' (no quotation marks) to the unit.

	Description	Parameters
AP	Adds a new Switch Phone to activate the controller's Output(s) via a Missed Call or SMS ¹	<ul style="list-style-type: none">• Phone number(s) (up to 19 digits each)• Output to be activated via a Missed Call (OU1/OU2/OU3/OU4¹)• Output to be activated via an SMS (OU1S/OU2S/OU3S/OU4S¹)• Input event to be monitored¹ (IN1R/F/B, IN2 R/F/B, IN3 R/F/B, IN4 R/F/B)• Rising or falling edge Input or both¹ (R, F, or B)

1. **G-SPEAK Classic+** only

Examples (commands have been highlighted for clarity)

Command	Description
P.xxxx.AP.0821234567	Adds phone number 082 123 4567 and, since no Output is specified, automatically assigns it to activate Output 1 via Missed Call
P.xxxx.AP.0821234567.OU2	Adds phone number 082 123 4567 and assigns it to activate Output 2 via Missed Call
P.xxxx.AP.0821234567.0821234568.0821234569.0821234566.OU3	Add phone numbers 082 123 4566, 0821234567, 0821234568 and 0821234569 and assign all to activate Output 3 via a Missed Call
P.xxxx.AP.0841234567.OU2.OU4	Adds phone number 084 123 4567 to the system, and assigns Output 2 and Output 4 to be activated by a Missed Call
P.xxxx.AP.0821234567.OU1.OU2S.IN1R	Configures Output 1 to react to Missed Calls and Output 2 to react to SMSs, and subscribes the number 082 123 4567 to receive SMS notifications when Input 1 rises
P.xxxx.AP.0821234567.OU2S	Adds phone number 082 123 4567 and assigns it to activate Output 2 via an SMS

Querying a Switch Phone Command

	Description	Parameters
LP	Lists the parameters for a specific Switch Phone	Phone number (up to 19 digits)

Example (commands have been highlighted for clarity)

Command	Description
P.xxxx.LP.0821234567	Sends an SMS to originating number listing the Switch Phone parameters

Example response if number exists:

0821234567 OUT2 SMS1 INR3 INF3

Response indicates 0821234567 is enrolled in the system and has the following parameters assigned to it:

- 1) The Switch Phone will activate OU2 when calling in
- 2) The Switch Phone can activate OU1 via SMS command (see 'Alternative SMS Activation of Outputs')
- 3) The Switch Phone will receive a notification when Input 3 rising event triggers
- 4) The Switch Phone will receive a notification when Input 3 falling event triggers

Deleting a Voice Phone Command 'DB'

This command deletes all Voice Phone numbers assigned to specific Call Buttons from the system, i.e. it stops a number from being called when a button is pressed.

	Description	Parameters
DB	Removes the specified Voice Phones assigned to Call Buttons from the system	<ul style="list-style-type: none">• Phone number(s) (up to 19 digits each)• Call Button BU (1 or 2)

Examples (commands have been highlighted for clarity)

Command	Description
P.xxxx.DB.BU1	Delete and clear all Voice Phones assigned to Button 1
P.xxxx.DB.BU2.1	Deletes only Voice Phone number 1 from Button 2

Deleting a Switch Phone Command 'DP'

This command allows one or more Switch Phone numbers to be deleted from the system.

	Description	Parameters
DP	Removes the specified Switch Phones from the system	Phone number(s) (up to 19 digits each)

Examples (commands have been highlighted for clarity)

Command	Description
P.xxxx.DP.0821234567	Delete phone number 0821234567
P.xxxx.DP.0821234567. 0821234568.0821234569. 0821234566	Delete phone numbers 0821234567, 0821234568, 0821234569 and 0821234566

Airtime Command 'AT'

This command allows an airtime voucher to be loaded onto the controller, or remaining airtime to be queried.



Since a voice transaction is initiated once a Call Button is pressed, there needs to be sufficient airtime on the controller SIM card at any given stage.

	Description	Parameters
AT	Loads or queries airtime. Requires knowledge of the network-specific USSD codes for airtime recharge and query.	<ul style="list-style-type: none"> • Load airtime (L) • Query airtime (Q) Sub-parameters: Network specific USSD code

Examples (commands have been highlighted for clarity)

Command	Description
P.xxxx.AT.L.*100*01*1234567890#	Loads airtime voucher number 1234567890 onto a Vodacom SIM card
P.xxxx.AT.L.*141*1234567890#	Loads airtime voucher number 1234567890 onto an MTN SIM card
P.xxxx.AT.L.*102*1234567890#	Loads airtime voucher number 1234567890 onto an Cell C SIM card
P.xxxx.AT.L.*188*1234567890#	Loads airtime voucher number 1234567890 onto an 8ta or Telkom Mobile SIM card
P.xxxx.AT.Q.*100#	Airtime remaining on the Vodacom SIM card is sent via SMS to the querying device
P.xxxx.AT.Q.*141#	Airtime remaining on the MTN SIM card is sent via SMS to the querying device
P.xxxx.AT.Q.*188#	Airtime remaining on the 8ta SIM card is sent via SMS to the querying device
P.xxxx.AT.Q.*111*502#	Will reply back with airtime, SMS and data bundle balances on the Vodacom SIM card
P.xxxx.AT.Q.*101#	Airtime remaining on the Cell C SIM card is sent via SMS to the querying device

Configuration Settings

Command 'CO'

This command allows the functionality of the system to be configured. Outputs and Inputs can be set up (dependent on the model), call settings edited, passwords managed, etc.

More than one configuration setting can be applied/edited using a single SMS by separating the commands with a full stop. In the case of the **G-SPEAK Classic+** all I/Os (configurable Inputs and Outputs) are defaulted as Outputs and may be reconfigured to be Inputs, whereas the **G-SPEAK Classic** only has one Output which cannot be configured to be an Input. Where channels have been set up to act as Inputs only (**G-SPEAK CLASSIC+** only), further parameters can be set by specifying Filter and Blanking Times.

Filter and Blanking Time (G-SPEAK CLASSIC+ only)

Filter Time is defined as the minimum time that the signal must be asserted before it is seen as valid. For example, if an Input is configured to send a notification upon a falling edge signal being asserted – say, when mains power to an irrigation system fails - and the Filter Time has been set to ten seconds, the notification will only be sent if the falling edge signal has been present for at least ten seconds.

Blanking Time, on the other hand, refers to the minimum time or 'cool down' period before an asserted Input will respond to any subsequent assertions. For example, an Input's Blanking Time has been set to one hour and the Input gets asserted and sends an SMS notification. One minute later, the Input is asserted again. This second assertion will be ignored until an hour has passed.

	Description	Settings	Parameters
CO	Configure Inputs, Outputs and system settings	Call settings	<ul style="list-style-type: none"> • CT (Call Time) – Sets the maximum duration of the call (the call can be terminated earlier by either party) • RT (Ring Time)– Sets the time before which the unit will disconnect if a call is unanswered • HT (Hang Time) – Sets the time for which the call remains connected after a DTMF event <p>Sub-parameters:</p> <ul style="list-style-type: none"> • Call time (seconds) • Ring time (seconds) • Hang time (seconds)
CO		Output Settings	<p>OU1PU – Sets Output 1 as pulsed OU1LA – Sets Output 1 as latched OU1PT – Sets Output 1 pulse time in milliseconds</p> <p>OU2PU – Sets Output 2 as pulsed OU2LA – Sets Output 2 as latched OU2PT – Sets Output 2 pulse time in milliseconds</p> <p>OU3PU – Sets Output 3 as pulsed OU3LA – Sets Output 3 as latched</p>
	Description	Settings	Parameters
CO		Output Settings	<p>OU3PT – Sets Output 3 pulse time in milliseconds</p> <p>OU4PU – Sets Output 4 as pulsed OU4LA – Sets Output 4 as latched OU4PT – Sets Output 4 pulse time in milliseconds</p> <p>OU1N – Sets an alternative name for OU1 OU2N – Sets an alternative name for OU2 OU3N – Sets an alternative name for OU3 OU4N – Sets an alternative name for OU4</p> <p>Sub-parameters:</p> <ul style="list-style-type: none"> • Pulse time (milliseconds) 1s = 1000ms • Output name (up to 31 characters including spaces)

CO		Input Settings ¹	<p>IN1 – Input 1 configured as Input</p> <p>IN2 – Input 2 configured as Input</p> <p>IN3 – Input 3 configured as Input</p> <p>IN4 – Input 4 configured as Input</p> <p>IN1FT – Sets Input 1 Filter Time in milliseconds</p> <p>IN2FT – Sets Input 2 Filter Time in milliseconds</p> <p>IN3FT – Sets Input 3 Filter Time in milliseconds</p> <p>IN4FT – Sets Input 4 Filter Time in milliseconds</p> <p>IN1BT – Sets Input 1 Blanking Time in milliseconds</p> <p>IN2BT – Sets Input 2 Blanking Time in milliseconds</p> <p>IN3BT – Sets Input 3 Blanking Time in milliseconds</p> <p>IN4BT – Sets Input 4 Blanking Time in milliseconds</p> <p>IN1FM – The message to be sent to subscribed numbers when IN1 falls</p>
	Description	Settings	Parameters
CO		Input Settings ¹	<p>IN1RM – The message to be sent to subscribed numbers when IN1 rises</p> <p>IN2FM – The message to be sent to subscribed numbers when IN2 falls</p> <p>IN2RM – The message to be sent to subscribed numbers when IN2 rises</p> <p>IN3FM – The message to be sent to subscribed numbers when IN3 falls</p> <p>IN3RM – The message to be sent to subscribed numbers when IN3 rises</p> <p>IN4FM – The message to be sent to subscribed numbers when IN4 falls</p> <p>IN4RM – The message to be sent to subscribed numbers when IN4 rises</p> <p>Sub-parameters:</p> <ul style="list-style-type: none"> • Filter Time (milliseconds) 1s = 1000ms • Blanking Time (milliseconds) • Input text message (up to 31 characters including spaces)

CO		Security Settings	NP – Sets a new system password Sub-parameters: Sub-parameters: <ul style="list-style-type: none"> • New password (four digits)
CO		Reset Options	Sub-parameters: ALL – Deletes all Voice and Switch numbers, and resets configuration settings to Factory Defaults USR – Deletes all users (Voice and Switch numbers), and leaves all configuration settings as is CON – Resets all configuration settings to Factory Defaults, and leaves all users (Voice and Switch numbers) as is

1. Applies to **G-SPEAK Classic+** only

Examples (commands have been highlighted for clarity)

Command	Description
P.xxxx.CO.NP.1333	Changes the current system password to 1333
P.xxxx.CO.CT.30	Sets the maximum call duration to 30 seconds
P.xxxx.CO.OU1PT.2000	Sets the pulse time of Output 1 to 2000ms (2s)
P.xxxx.CO.OU1LA.OU2PU.OU2PT.5000	Configures Output 1 for latching operation, sets Output 2 to be a pulsed Output and sets the pulse time to 5000ms (5s)
P.xxxx.CO.IN1.IN2.IN1FT.500.IN1BT.30000	Configures Channel 1 and Channel 2 as Inputs, and sets the Input 1 Filter Time and Blanking Time to 500ms and 30000ms respectively
P.xxxx.CO.IN3.IN3FM."MAINS FAIL"	Configures Channel 3 as an Input and sets the message to be sent to subscribed numbers when Input 3 falls as "MAINS FAIL"
P.xxxx.CO.RESET.ALL	Deletes all Voice Phone and Switch Phone numbers, and resets configuration settings to Factory Defaults
P.xxxx.CO.RESET.USR	Deletes all users (Voice Phone and Switch Phone numbers), and leaves all configuration settings as is
P.xxxx.CO.RESET.CON	Resets all configuration settings to factory defaults, and leaves all users (Voice Phone and Switch Phone numbers) as is
P.xxxx.co.OU3N."GATE"	Changes the name of Output 3 to GATE



Commands can be concatenated, i.e. multiple commands sent in a single SMS, by simply separating the commands with a space.

Command	Description
P.xxxx.CO.OU1LA DB.BU2.1	Configures Output 1 as a latching Output AND deletes Voice Phone number 1 from Button 2
P.xxxx.CO.NP.4545 AT.L. *100*01*5686299345#	Changes the system password to 4545 AND loads airtime voucher number 5686299345 onto a Vodacom SIM card

Special Commands

Any of the Voice Numbers can text the **G-SPEAK** with four special messages (depending on the **G-SPEAK** model) to activate the following functions:

Command	Description
LISTEN ¹	By SMSing 'LISTEN' to the G-SPEAK , the G-SPEAK will mute the speaker on the Calling Module, and call the phone that sent the SMS, allowing the Called Party to listen in on what is happening at the Calling Module. Anyone at the Calling Module will be unaware that a call is in progress and that they are being listened to. DTMF functionality is available during this call, allowing the Called Party to activate any of the Outputs by pressing 1, 2, 3 or 4 on their phone keypad. In addition, pressing * or # will reset the call duration timer, extending the call by the call ² duration time.
TALK ¹	By SMSing 'TALK' to the G-SPEAK , the G-SPEAK will call the phone that sent the command, allowing the Called Party to talk to anyone at the Calling Module. DTMF functionality is available during this call, allowing the Called Party to activate any of the Outputs by pressing 1,2,3 or 4 on their phone keypad. In addition, pressing * or # will reset the call duration timer, extending the call by the call duration time ² .
STATUS	By SMSing 'STATUS' to the G-SPEAK , the G-SPEAK will send an SMS to the phone that sent the STATUS command, indicating firmware version, serial number, signal strength, Input and Output states, etc.
SETTINGS	By SMSing 'SETTINGS' to the G-SPEAK , the G-SPEAK will send an SMS to the phone that sent the SETTINGS command, indicating

1. **G-SPEAK Classic+** only

2. The Called Party will hear an alert tone ten seconds before the call timer expires

Alternative SMS Activation of Outputs

Even though preconfigured SMS text may have been assigned to Outputs when adding a phone to the system, the Outputs on the Module can also be explicitly activated or deactivated by sending an SMS to the Module, from a valid phone (a valid phone is one for which a number exists in the system, and for which Outputs have been assigned), with one of the commands below:

Output1 on; Output1 off; Output2 on; Output2 off; Output3 on; Output3 off; Output4 on; Output4 off.

If the Output in question has been assigned a specific name (for example "**GATE**"), the name of the Output followed by a space and the word ON or OFF can be sent to the Module to explicitly activate or deactivate the Output.

The process for changing an Output's name is given in the section "Configuration Settings".

Example:

"GATE ON" will activate Output 1, that has been renamed to **"GATE"**.

10. Installation Handover

Once the installation has been successfully completed and tested, it is important for the installer to explain the operation and safety requirements of the system.

Claims as a result of improper use of the product, or as a result of the product being used for any other purpose other than for which the product was intended for, will not be entertained.

Notes





Connect with us on:

 facebook.com/CenturionSystems

 YouTube.com/CenturionSystems

 [@askCenturion](https://twitter.com/askCenturion)

Subscribe to the newsletter: www.CentSys.com/Subscribe

Call Centurion Systems (Pty) Ltd * South Africa
Head Office: +27 11 699 2400

Call Technical Support: +27 11 699 2481
from 07h00 to 18h00 (UTC+2)



Doc number: 1229DUSM0100_07042015 ENG

www.CentSys.com