

# TURNSTAR

RELIABLE ★ DURABLE ★ GUARANTEED

## SPEEDGATE EXPRESS



- The SPEEDGATE EXPRESS combines security and aesthetics all in one stylish product
- Ultra high speed access with seamlessly integrated motor drive technology
- The most sophisticated product of its type in Africa
- Exported worldwide

### APPLICATIONS

- Suited for applications requiring ultra high speed access and medium levels of security
- Used extensively in applications such as office receptions, airports, universities, health clubs and railways

### DESIGNED FOR

- Interior and covered exterior installations
- Severe operating conditions

### AVAILABLE CONFIGURATIONS

- Narrow lane (550mm), standard lane (650mm) and wide lane (900mm) - suitable for special needs access such as wheelchairs
- Multiple lane configurations

### SECURITY RATING



ISO 9001:2015

# UNIQUE FEATURES OF THE SPEEDGATE EXPRESS

- Designed by professional engineers
- Cutting edge technology used in both the design and manufacture

## RELIABLE TECHNOLOGY

- Ultra-heavy-duty high speed motor drive and gearbox
- Intelligent motor - tamper detection feedback
- Built-in intelligent PLC controller
- Motion detection sensor array – dynamic following of the pedestrian through the Speedgate Express
- Highly sophisticated anti-tamper detection
  - Tailgating
  - Unauthorised direction
  - Crawling
- Safety - a series of detectors are used to prevent closing when a person or object is in the closing envelope

## DURABLE FEATURES

### CABINET

- 304 grade brushed stainless steel
- 3D designed and precision laser cut components
- Hand-made with expert welding and polishing
- Recess with polycarbonate infill for concealed reader mounting (option)
- LED lane status and direction indicator lights

### GLASS WING

- 8mm CNC toughened glass
- Direct motor mount technology – removing any linkages and bearings which are prone to failure

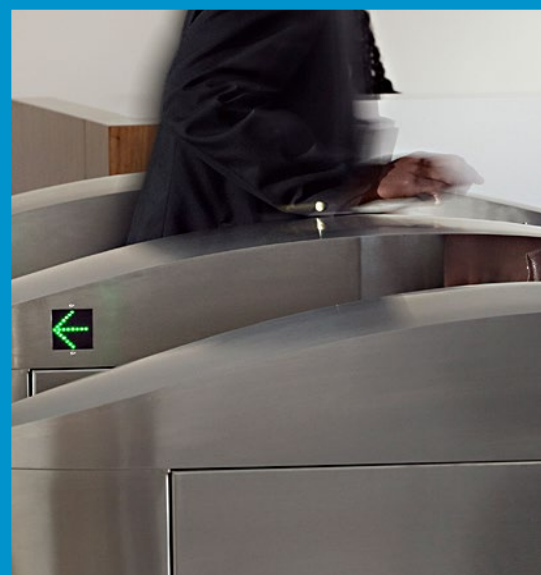
## GUARANTEED MANUFACTURED TO LAST

- 3 year mechanical guarantee
- 1 year electrical guarantee

# TECHNICAL SPECIFICATIONS

POWER	220 Volt AC (110 Volt AC on request)
FREQUENCY	50Hz / 60Hz
POWER CONSUMPTION	300W per lane
POWER FAILURE OPERATION	The glass wings can be easily moved into the cabinet to allow free access
FIRE ALARM OPERATION	Trigger can activate barriers to remain in the open position for free access
SYSTEMS INTEGRATION	Integrates with all access control and time and attendance systems
OPERATING CYCLE TIME	Open   1 second Close
TAMPER ALARM	<ul style="list-style-type: none"><li>• Electronic output for a building security alert, e.g. to lock doors or activate CCTV</li><li>• LED lights show red cross</li><li>• Internal buzzer sounds</li></ul>
STANDARD OPERATIONAL MODES	<ul style="list-style-type: none"><li>• Entry and exit</li><li>• Entry only</li><li>• Exit only</li><li>• Optical mode for entry and exit</li></ul> <p>All modes can be changed using a selector switch supplied with the Speedgate Express</p>

# SPEEDGATE EXPRESS STAR INSTALLATIONS



## THE SPEEDGATE RANGE INCLUDES



**SPEEDGATE KINETIC**



**SPEEDGATE MOTION**

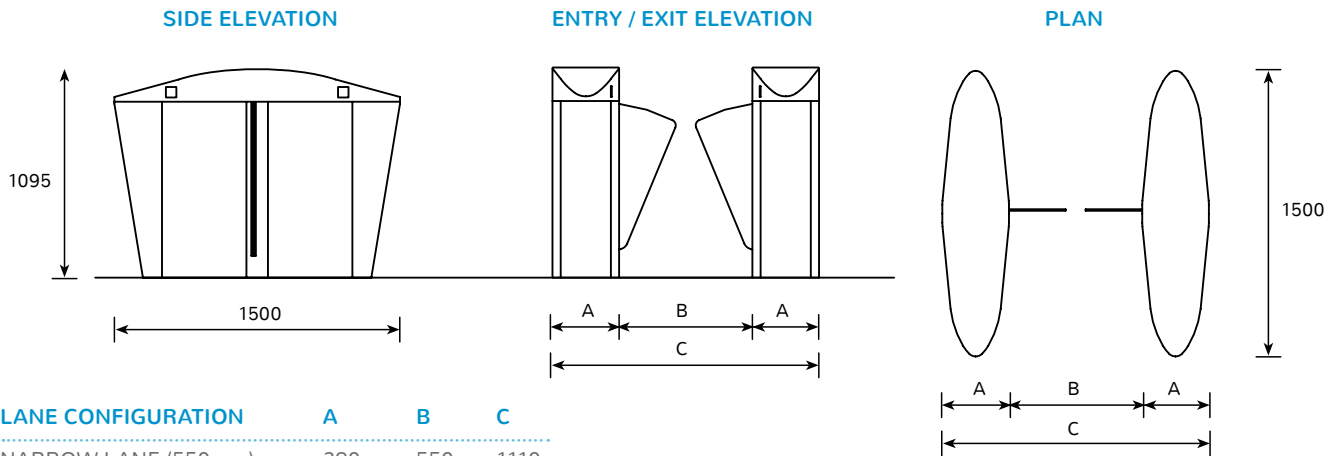


**SPEEDGATE SECURE**



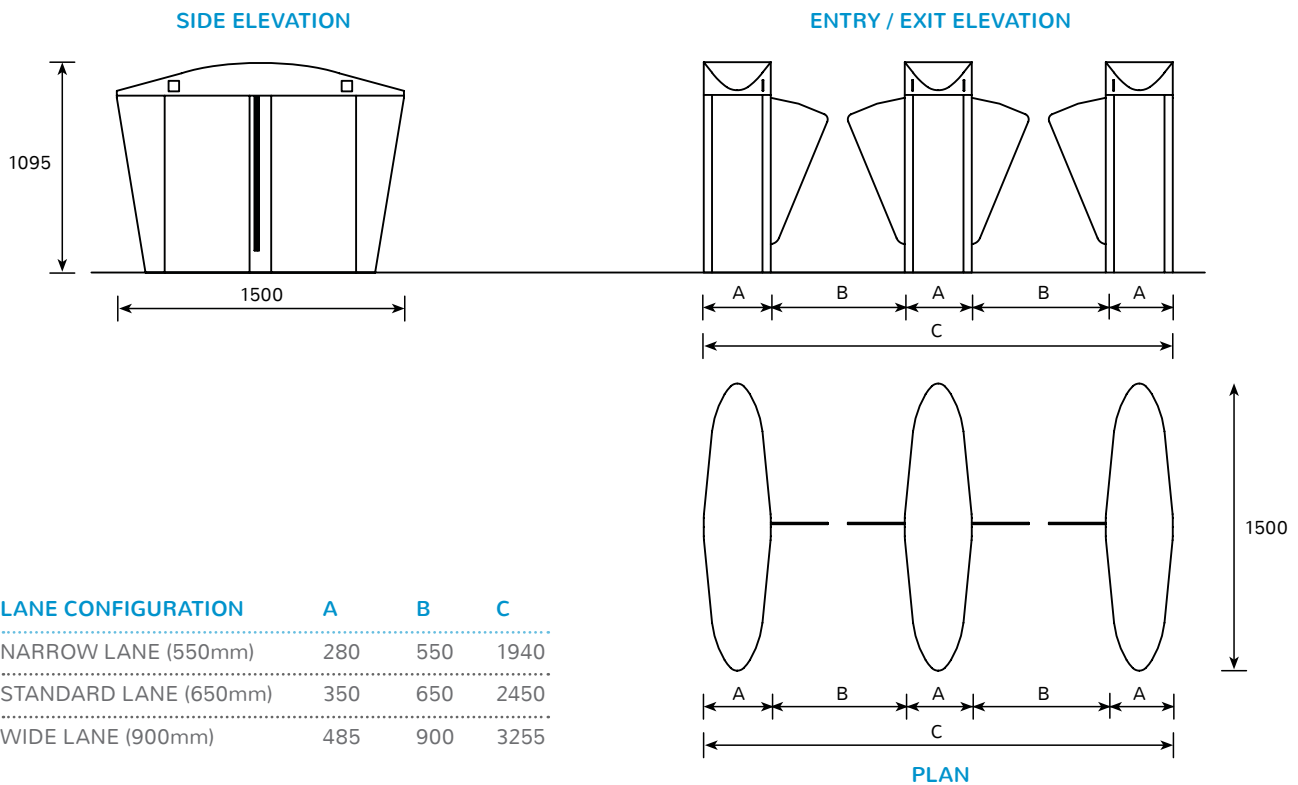
# SPEEDGATE EXPRESS RANGE

## SINGLE LANE



LANE CONFIGURATION	A	B	C
NARROW LANE (550mm)	280	550	1110
STANDARD LANE (650mm)	350	650	1400
WIDE LANE (900mm)	485	900	1870

## DOUBLE LANE



LANE CONFIGURATION	A	B	C
NARROW LANE (550mm)	280	550	1940
STANDARD LANE (650mm)	350	650	2450
WIDE LANE (900mm)	485	900	3255

© Turnstar Systems



Turnstar Systems (Pty) Ltd | Reg No: 2012/100536/07  
Established in 1990

**JHB FACTORY**  
18 6<sup>th</sup> Street, Wynberg,  
Sandton, 2090  
T: +27 (0)11 786 1633  
F: +27 (0)11 440 5839

**CAPE BRANCH**  
Unit 9 Elect Park,  
13 Teejay Road, Brackenfell,  
Cape Town, 7560  
T: +27 (0)21 981 3043

**KZN BRANCH**  
Unit 4 Imbonini Mini Factories,  
Imbonini Business Park, R102,  
Umhlali, Kwazulu-Natal, 4420  
T: +27 (0)32 947 0391

**POSTAL ADDRESS**  
PO Box 41,  
Highlands North,  
2037

YouTube Channel: [TurnstarSA](#)

E: [info@turnstar.co.za](mailto:info@turnstar.co.za) W: [www.turnstar.co.za](http://www.turnstar.co.za)



ISO 9001:2015