

SPEEDGATE KINETIC



- The SPEEDGATE KINETIC combines security and aesthetics all in one stylish product
- Ultra high speed access with seamlessly integrated motor drive technology
- The most sophisticated product of its type in Africa
- Exported worldwide



APPLICATIONS

- Suited for applications requiring ultra high speed access and medium levels of security
- Used extensively in applications such as office receptions, airports, universities, health clubs and railways

DESIGNED FOR

- Interior and covered exterior installations
- Severe operating conditions

AVAILABLE CONFIGURATIONS

- Narrow lane (550mm), standard lane (650mm) and wide lane (900mm) - suitable for special needs access such as wheelchairs
- Multiple lane configurations

SECURITY RATING



UNIQUE FEATURES OF THE SPEEDGATE KINETIC

- Designed by professional engineers
- Cutting edge technology used in both the design and manufacture

RELIABLE TECHNOLOGY

- Ultra-heavy-duty high speed motor drive and gearbox
- Intelligent motor - tamper detection feedback
- Built-in intelligent PLC controller
- Motion detection sensor array – dynamic following of the pedestrian through the Speedgate Kinetic
- Highly sophisticated anti-tamper detection
 - Tailgating
 - Unauthorised direction
 - Crawling
- Safety - a series of detectors are used to prevent closing when a person or object is in the closing envelope

DURABLE FEATURES

CABINET

- 304 grade brushed stainless steel
- 3D designed and precision laser cut components
- Hand-made with expert welding and polishing
- Recess with polycarbonate infill for concealed reader mounting (option)
- LED lane status and direction indicator lights

GLASS WING

- 8mm CNC toughened glass
- Direct motor mount technology – removing any linkages and bearings which are prone to failure

GUARANTEED MANUFACTURED TO LAST

- 3 year mechanical guarantee
- 1 year electrical guarantee

TECHNICAL SPECIFICATIONS

POWER	220 Volt AC (110 Volt AC on request)
FREQUENCY	50Hz / 60Hz
POWER CONSUMPTION	300W per lane
POWER FAILURE OPERATION	The glass wings can be easily moved into the cabinet to allow free access
FIRE ALARM OPERATION	Trigger can activate barriers to remain in the open position for free access
SYSTEMS INTEGRATION	Integrates with all access control and time and attendance systems
OPERATING CYCLE TIME	Open 1 second Close
TAMPER ALARM	<ul style="list-style-type: none">• Electronic output for a building security alert, e.g. to lock doors or activate CCTV• LED lights show red cross• Internal buzzer sounds
STANDARD OPERATIONAL MODES	<ul style="list-style-type: none">• Entry and exit• Entry only• Exit only <p>All modes can be changed using a selector switch supplied with the Speedgate Kinetic</p>

SPEEDGATE KINETIC STAR INSTALLATIONS



THE SPEEDGATE RANGE



SPEEDGATE MOTION



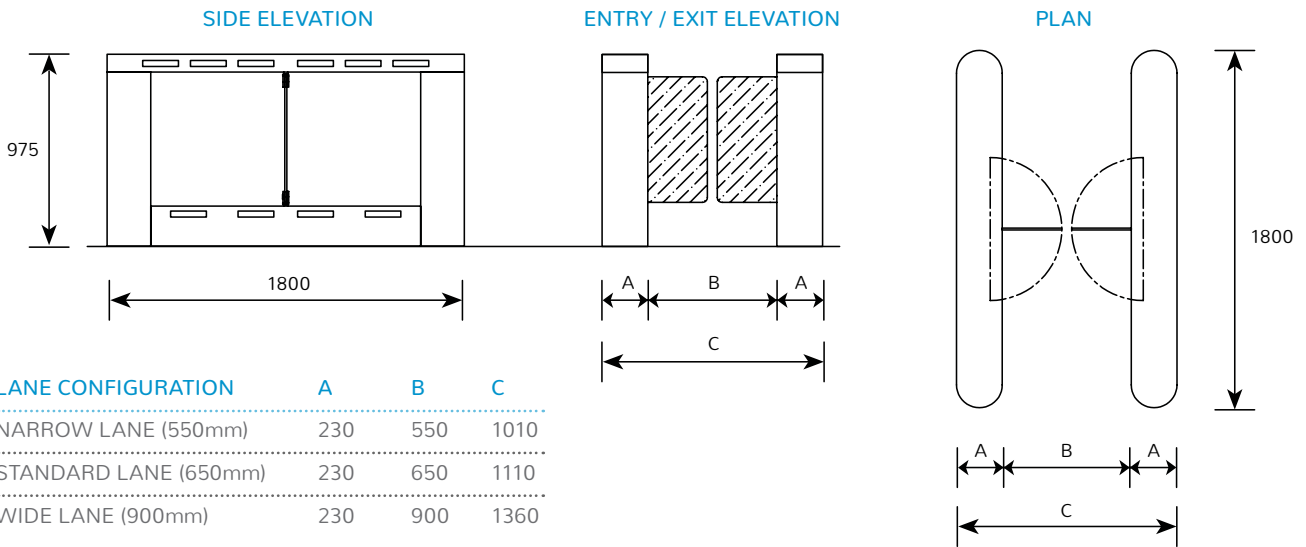
SPEEDGATE EXPRESS



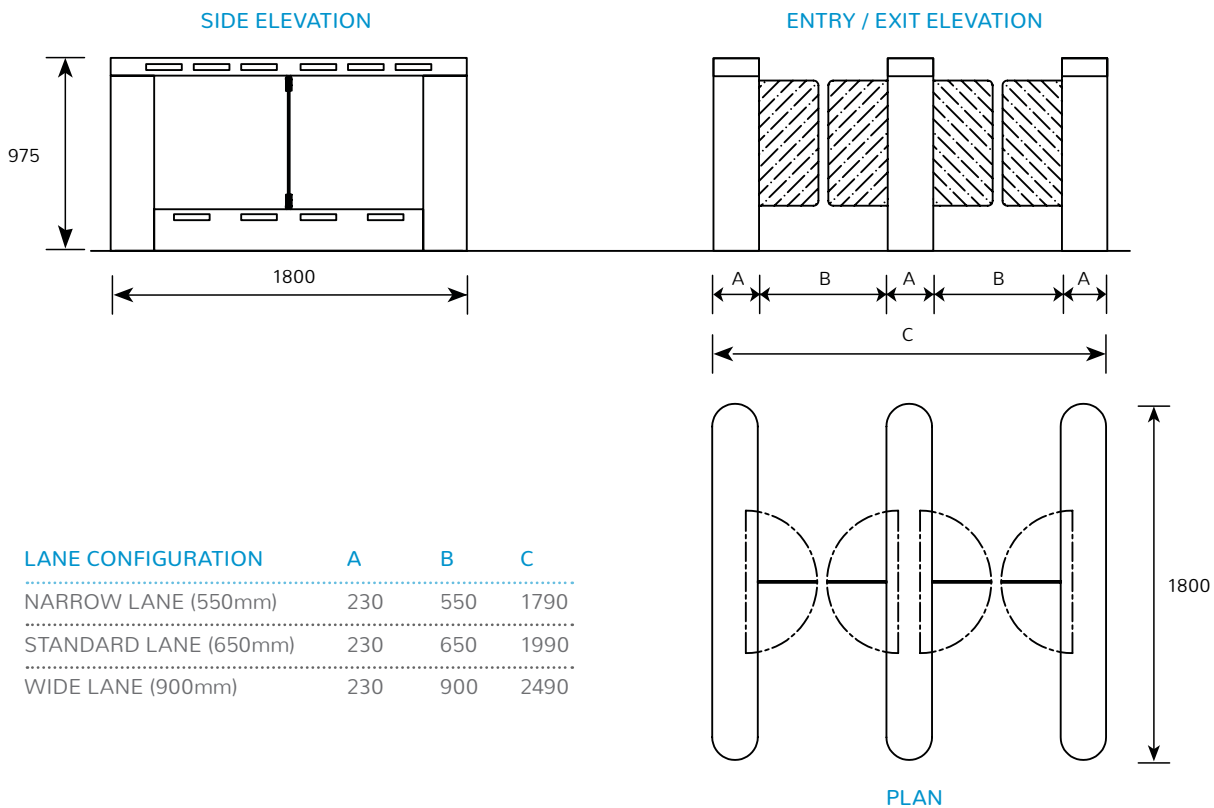
SPEEDGATE SECURE

SPEEDGATE KINETIC RANGE

SINGLE LANE



DOUBLE LANE



© Turnstar Systems



info@turnstar.co.za | www.turnstar.co.za

Turnstar Systems (Pty) Ltd | Reg No: 2012/100536/07 | Established in 1990

JHB FACTORY

18 6th Street, Wynberg,
Sandton, 2090
T: +27 (0)11 786 1633
F: +27 (0)11 440 5839

CAPE BRANCH

Unit 9 Elect Park,
13 Teejay Road, Brackenfell,
Cape Town, 7560
T: +27 (0)21 981 3043

KZN BRANCH

Unit 5 - 7 Amatuli Industrial Park,
5 - 7 Eagle Road, Shaka's Head,
Umhlali, Kwazulu-Natal, 4420
T: +27 (0)32 947 0391

POSTAL ADDRESS

PO Box 41,
Highlands North,
2037



ISO 9001:2015