

STREAMLINE

WAIST HEIGHT SINGLE TURNSTILE



- With a wide range of applications, the STREAMLINE is the biggest selling waist height turnstile in Africa
- Suitable for both prestige and industrial installations
- Designed for high speed ultra quiet operation
- Exported worldwide



APPLICATIONS

- Suited for applications requiring high volume access and medium levels of security
- Used extensively in applications such as office reception areas, health clubs, colleges, libraries, leisure parks and stadiums

DESIGNED FOR

- Interior and exterior installations
- Severe operating conditions

AVAILABLE CONFIGURATIONS

- STREAMLINE Single

SECURITY RATING



UNIQUE FEATURES OF THE STREAMLINE

ROTALOK® ROTATION LOCKING MECHANISM

- Fitted to all STREAMLINE turnstiles
- Ultra heavy-duty electromechanical rotation locking mechanism
- Bi-directional operation
- Designed by professional engineers
- Tried, tested and perfected over a period of over 20 years

RELIABLE TECHNOLOGY

- Self-centering rotation system - rotor returns to starting position after every rotation
- Anti-Trap® safety system - no mid-rotation locking or trapping in the event of a power failure
- Extra secure 60° anti-reverse system
- Programmable PLC logic with user diagnostic features
- Mechanical key override - clockwise and anti-clockwise directions (fail-secure)

DURABLE FEATURES

- Zinc plated for corrosion resistance
- Ultra quiet, buffered solenoids and pawls
- Solenoids rated for 100% duty cycle
- Case hardened locking disk and pawls - eliminating any wear
- Factory settings need no further adjustment
- No routine maintenance whatsoever, ever

GUARANTEED MANUFACTURED TO LAST

- 10 year mechanical guarantee
- 1 year electrical guarantee

ROTASLO® HYDRAULIC DAMPING SYSTEM

- Fitted to all STREAMLINE turnstiles

RELIABLE TECHNOLOGY

- Consistently smooth rotation
- Ultra quiet operation

DURABLE FEATURES

- Low mechanical stress

GUARANTEED MANUFACTURED TO LAST

- 1 year guarantee

TECHNICAL SPECIFICATIONS

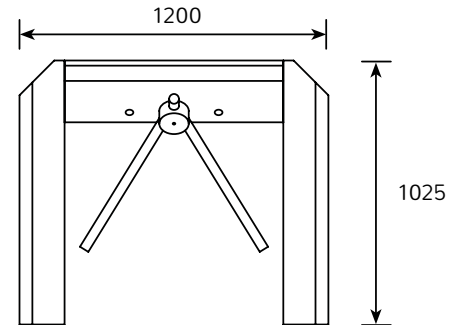
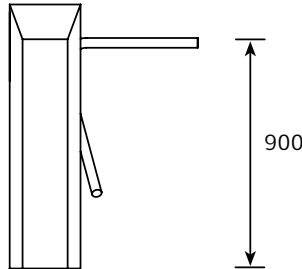
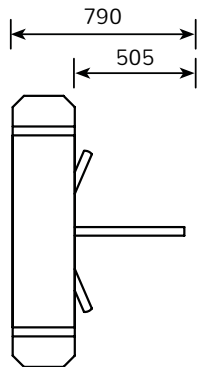
POWER	220 Volt AC (110 Volt AC on request)
FREQUENCY	50Hz / 60Hz
POWER CONSUMPTION	50W (single turnstile)
SOLENOID VOLTAGE	24 Volt DC (12 Volt DC on request)
LOGIC VOLTAGE	24 Volt DC
DIMENSIONS	See overleaf
ROTOR ARMS	38mm diameter stainless steel fixed tube arms
WEIGHT	STREAMLINE Single 82kg
DESIGN	Modular bolt-together design for ease of transport and installation. Components can pass through a standard door. Can be packed in broken-down form either onto a pallet or into a crate for transport
SYSTEMS INTEGRATION	<ul style="list-style-type: none">• Integrates with all access control and time and attendance systems• Unlocking for entry / exit rotation controlled through normally open dry contact• Transaction / rotation complete output• Integral wireways with draw wires in place - no exposed wires

MANUFACTURING OPTIONS

ROTATION OPTIONS	<ul style="list-style-type: none">• Electrically controlled bi-directional rotation (factory standard)• Mechanically controlled uni-directional rotation by means of key override• Free rotation
LOCKING OPTIONS	<ul style="list-style-type: none">• Fail-secure auto-lock on power failure (factory standard)• Fail-safe auto-unlock on power failure• Each direction of rotation configurable for either fail-secure or fail-safe operation
FIRE ALARM OPTIONS	Free rotation when triggered indefinitely (logic programmed for direction or rotation on request)
POWER OPTIONS	Battery backup with two 12 volt 7Ah batteries connected in series <ul style="list-style-type: none">• Up to 1 000 transactions in fail-safe mode• Up to 60 minutes operation in fail-safe mode
ACCESSORY OPTIONS	<ul style="list-style-type: none">• 600mm stainless steel and glass turnstile screen• Single / double pushbutton in plastic housing• LED red cross and green arrow indicator light• Multiple coin acceptor for pay-for-entry systems• LCD transaction counter with reset key switch• Random search device
CABINET FINISH OPTIONS	<ul style="list-style-type: none">• Mild steel with UV resistant polyester exterior powder coat finish (charcoal blue hammertone) ■• 304 grade brushed stainless steel• 316 grade brushed stainless steel ▲ <p>▲ suitable for corrosive environments (details available on request) ■ other colours available on request</p>
TOP COVER OPTIONS	<ul style="list-style-type: none">• Rustenburg granite top cover• Stainless steel top cover

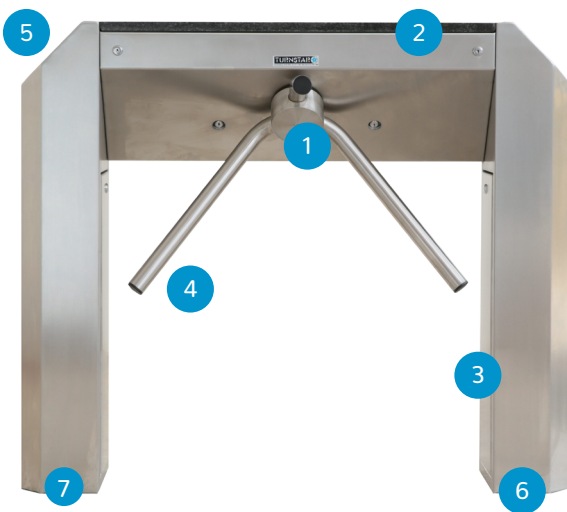
STREAMLINE WAIST HEIGHT SINGLE TURNSTILE

STREAMLINE SINGLE



© Turnstar Systems

STAR QUALITIES



- 1 Rotalok® rotation locking mechanism and electronic control panel
 - Incorporates:
 - Rotaslo® hydraulic damping
 - Mechanical key override (for free rotation)
- 2 Lockable Rustenburg granite or stainless steel top cover
- 3 Lockable side door
- 4 38mm diameter stainless steel fixed tube arms
- 5 Access control reader mounting position
- 6 Wiring bottom entry point
- 7 Floor bolting positions



info@turnstar.co.za | www.turnstar.co.za

Turnstar Systems (Pty) Ltd | Reg No: 2012/100536/07 | Established in 1990

JHB FACTORY

18 6th Street, Wynberg,
Sandton, 2090
T: +27 (0)11 786 1633
F: +27 (0)11 440 5839

CAPE BRANCH

Unit 9 Elect Park,
13 Teejay Road, Brackenfell,
Cape Town, 7560
T: +27 (0)21 981 3043

KZN BRANCH

Unit 5 - 7 Amatuli Industrial Park,
5 - 7 Eagle Road, Shaka's Head,
Umhlali, Kwazulu-Natal, 4420
T: +27 (0)32 947 0391

POSTAL ADDRESS

PO Box 41,
Highlands North,
2037



ISO 9001:2015